

## > We are DEVELON

We trace our roots to 1937 as one of Korea's first large scale machine plant. Throughout time we have consistently delivered exceptional products and solutions.

DEVELON is a bold name that reflects our core ambition to continue developing onwards and leaving behind a positive footprint in our world. Moving forward, we seek to be part of our customers and partners' endeavor to build a better world.

Powered by **Innovation**



©2023 HD Hyundai Infracore. All rights reserved.  
HDIPBE-01-2308

Certain specification(s) are based on engineering calculations and are not actual measurements. Specification(s) are provided for comparison purposes only and are subject to change without notice. Specification(s) for your individual Develon equipment will vary based on normal variations in design, manufacturing, operating conditions, and other factors. Pictures of Develon units may show other than standard equipment.

[develon-ce.com](http://develon-ce.com)

# DEVELON

Wheel Loader

# DL200A-7M



# WE ARE BACK WITH NEW FEATURES

All the nice features of previous model  
bodily succeeded, even nicer things to come

## CABIN VISIBILITY

Improved visibility to the Left and right bottom section of the front windshield for easy positioning of front wheels.

## ADDITIONAL BUCKET (OPTIONAL)

Extra bucket options for further customer choices. 2.2m<sup>3</sup> and 2.3m<sup>3</sup> options added to previous models.

## REINFORCED BUCKET

The lower and side panels of the bucket have been reinforced with additional plates as standard. Reinforcement applied at both sides and at lower panel.

## AUTOMATIC REVERSE FAN (OPTIONAL)

The optional reversible functionality of the fan, which blows air in the opposite direction, allows self-cleaning of the cooling units.

## LSD (Limited Slip Differential) (OPTIONAL)

Various axle option available for different terrain conditions to meet your needs.

## STRENGTH AND INTELLIGENCE

With tremendous lift height and capacity, along with enough torque to bite into the toughest materials, DEVELON wheel loaders go a step beyond scooping, carrying and loading. It's your ticket to making harder work easier, longer days more enjoyable, and every minute more productive and profitable.



## AIR SUSPENSION SEAT (OPTIONAL)

The optional, air-suspended seat provides pleasant seating conditions and a high level of comfort.

## DEVELON <sup>FLEET MANAGEMENT</sup> Telematics Service (OPTIONAL)

Offering 'preventive maintenance service' based on machine operating data. Providing an expert level consultation to dealers. Functioning as fleet management tool for the customers.

## NEW CLUSTER AND KEYPAD

Intuitive gauge panel and keypad enable easy access to machine settings and maintenance data. All switches and operating mechanism integrated to improve operational convenience.

## ENHANCED LIS (LOAD ISOLATION SYSTEM)(OPTIONAL)

LIS absorbs the impact on the lifting arm, cutting off the shock not to be transferred to cabin and body. Enhancing the balance, productivity and operator comfort.

## REAR-VIEW CAMERA (OPTIONAL)

Large and bright LCD monitor to view rear surroundings for safe operation. Wide angle Rear-view camera integrated into the radiator grille, offering seamless design and protection.

Photos may include optional equipment

# DEVELON FLEET MANAGEMENT Telematics Service (OPTIONAL)

**TELECOMMUNICATIONS** Data flow from machine to web



### TELEMATICS TERMINAL

Terminal device is installed and connected to a machine to get machine data.

### TELECOMMUNICATION

DEVELON provides Dual mode (Cellular, Satellite) communication to maximize communication coverage

### DEVELON FM WEB

User can monitor machine status from DEVELON FM Web

**TELEMATICS SERVICE BENEFITS** DEVELON and dealer support customers to improve work efficiency with timely and responsive services

#### CUSTOMER

- Improve work efficiency
- Timely and preventive service
- Improve operator's skills by comparing work pattern
- Manage fleet more effectively

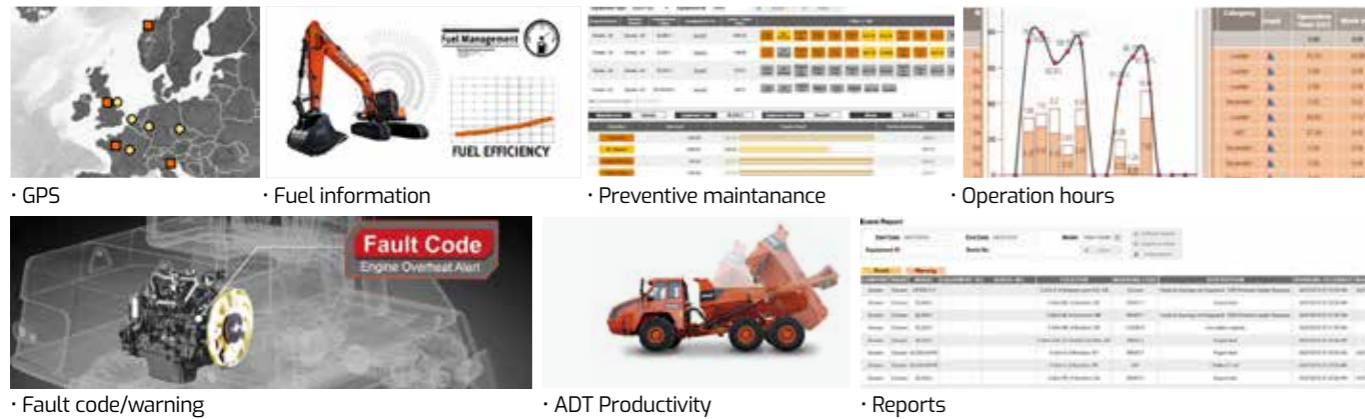
#### DEALER

- Better service for customers
- Provide better quality of service
- Maintain machine value
- Better understanding of market needs

#### DEVELON

- Responsive to customer's voice
- Utilize quality-related field data
- Apply customer's usage profile to developing new machine

**FUNCTIONS(WEB/APP)** DEVELON Telematics Service provides various functions to support your great performance



FUNCTION		EXCAVATOR	WHEEL LOADER	ADT
GPS	Location	All models	All models	All models
	Geo-fence	All models	All models	All models
Operation hours	Daily, Weekly, Monthly report	All models	All models	All models
	Total operation hours Operation hours by mode	All models	All models	All models
Maintenance parts	Preventive maintenance by item replacement cycle	All models	All models	All models
Fault code/ Warning	Fault code	All models	All models	All models
	Machine Warnings on Gauge Panel	All models	All models	All models
Fuel information	Fuel level	All models	All models	All models
	Fuel consumption	All models	All models	All models
Dump capacity	Dump tonnage	N/A	N/A	All models
	Count of Work Cycle	N/A	N/A	All models

# GLOBAL PARTS NETWORK

## QUALITY-PROVEN MAIN COMPONENTS

DEVELON provides fast and precise worldwide delivery of genuine DEVELON parts through its global PDC (parts distribution center) network.

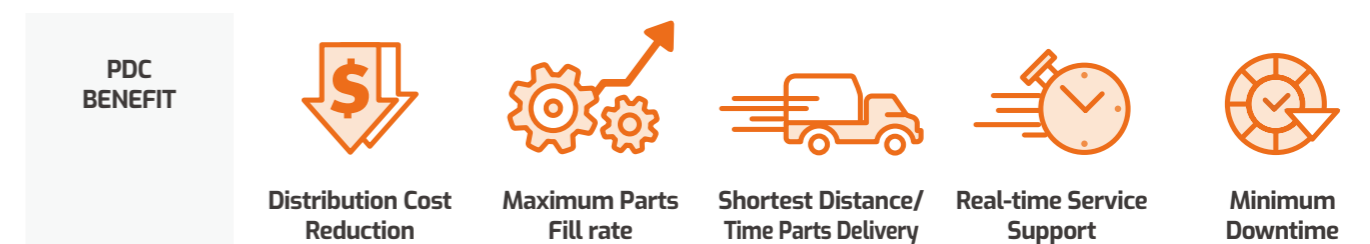


### GLOBAL NETWORK

The global network of the GPDC (Global Parts Distribution Center) maximizes its fill rate by making sure that each center is stockpiled with all the critical parts required for businesses in its area. The network also minimizes the time and costs required for parts delivery by positioning PDCs close to major markets around the world. DEVELON PDCs communicate with customers in their time zone, informing them that they are open for operation, and deliver parts to them as early as possible.

## THE GLOBAL PARTS DISTRIBUTION CENTER NETWORK

PDCs had been set up as shown below, including Mother PDC in Ansan, Korea. The nine other PDCs include one in China (Yantai), three in USA (Atlanta, Seattle and Miami), two in Europe (Germany and the UK), one in the Middle East (Dubai) and two in Asia (Singapore and Indonesia).



# TECHNICAL SPECIFICATION

## ENGINE

The high performance DEVELON DB58TIS 6 cylinder, direct injection, turbo charged, air-air intercooler engine offers low fuel consumption and low exhaust emissions.

### Rated Power

Gross 121 kW @ 2,100 rpm (ISO14396, SAE J1995)  
Net 121 kW @ 2,100 rpm (ISO9249, SAE J1349)

### Max Torque

638 N.m @ 1,400 rpm

### Displacement

5,785 cc (492 cu.in)

### Bore x stroke

∅ 102 X 118 mm

3 stages Air cleaner including a very efficient pre-cleaner, main and safety elements.

Hydraulically driven puller type fan with possibility of adjustment.

### Battery

System voltage : 24 V

Quantity : 12 V x 2

Capacity (AMP) : 100 Ah

### Starter power

24 V / 4.5 kW

### Alternator output

24 V / 80 A

## AXLES

The front and rear axles with planetary hub reductions are built on the base of very reputed components. Fitted as standard, the front and rear limited slip differentials, ensure the traction is optimal in all circumstances.

### Type

Fully floating planetary-type

### Limited slip Differential (front and rear)

45%

### Oscillation angle

+/- 11°

### Brake

Dual circuit multi-plate wet discs. Hydraulic actuation with pump and accumulator. A spring applied and hydraulically released parking brake is mounted on the front axle.

## TRANSMISSION

"Full Power Shift" transmission. It can be used in manual or automatic modes.

This transmission is based on components having excellent worldwide reputations. It is equipped with a modulation system allowing soft gear shifting and inversion of travel direction. Safety devices also protect the transmission of bad operations. The gear and direction shifting is operated by a single lever to the left of the steering wheel. A travel direction control is also mounted on the hydraulic joystick. (Optional)

With a special electronic device, the transmission can be tested and adjusted easily for optimum performance and efficiently. The transmission can be de-clutched by the operation of brake pedal to increase the power available to the hydraulic pumps. A safety device prevents the starting of the engine when not in neutral.

### Torque converter

Type : Single stage, one phase,  
Stall ratio : 2.911

### Travel speed, kph

Forward : 7.5 · 13.3 · 23.1 · 36.2  
Reverse : 7.9 · 13.9 · 24.2

## HYDRAULIC SYSTEM

The hydraulic system uses triple gear pumps. Pilot actuation with standard single lever.

Automatic arm kick-out is standard.

All of hydraulic lines are equipped with special seals (ORFS)

### Max flow main

194 l/min @ 2,200 rpm

### Working Pressure

215 bars

### Pressure of the pilot circuit

33 bars

### Filtration capacity on the return line

10 microns

### Loading cycles time

Lifting speed (loaded) : 5.7 seconds  
Dumping speed (loaded) : 1.4 seconds  
Lowering speed (empty) : 3.9 seconds

## OPERATOR' CAB

heating systems. The air of the cab is filtered.

The modular cab allows excellent visibility in all directions. The optimal ventilation is obtained by numerous ventilation outlets. Touch buttons control the air re-circulation air conditioning and heating systems. The air of the cab is filtered. All necessary information for the operator are centralized in front of him.

The main functions are actuated via switches located on a console at the right of the operator.

Generous storage places are well located. The cab, mounted on viscous element and equipped with an air suspended seat, offers a better comfort for the operator.

Access door : 1

Emergency exits : 1

The cab conforms ROPS ISO 3471 and  
FOPS : ISO 3449

Guaranteed external noise level Lwa

(following ISO 6395) 108 dB(A)

## STEERING

The steering system is load sensing type with steering unit and priority valve.

### Steering angle

40°

### Oil flow

97 l/min @ 2,200 rpm

### Working pressure

180 bars

### Steering cylinders (2)

bore x stroke : 70 X 366 mm  
Emergency steering system with hydraulic pump driven by electric motor. (Optional)

## LIFTING SYSTEM

The lifting system with two cylinders and Z configuration is designed for the toughest jobs. The breakout force is very important and the bucket movements are fast. The bucket angles are well kept in good positions on all the range of bucket movement.

### Lifting cylinders (2)

bore x stroke : 130 X 676 mm

### Bucket cylinders (1)

bore x stroke : 140 X 509 mm

## MAINTENANCE

Maintenance is easy due to excellent access. The transmission is electronically controlled. An error coding system allows easy diagnosis of the systems and proper intervention

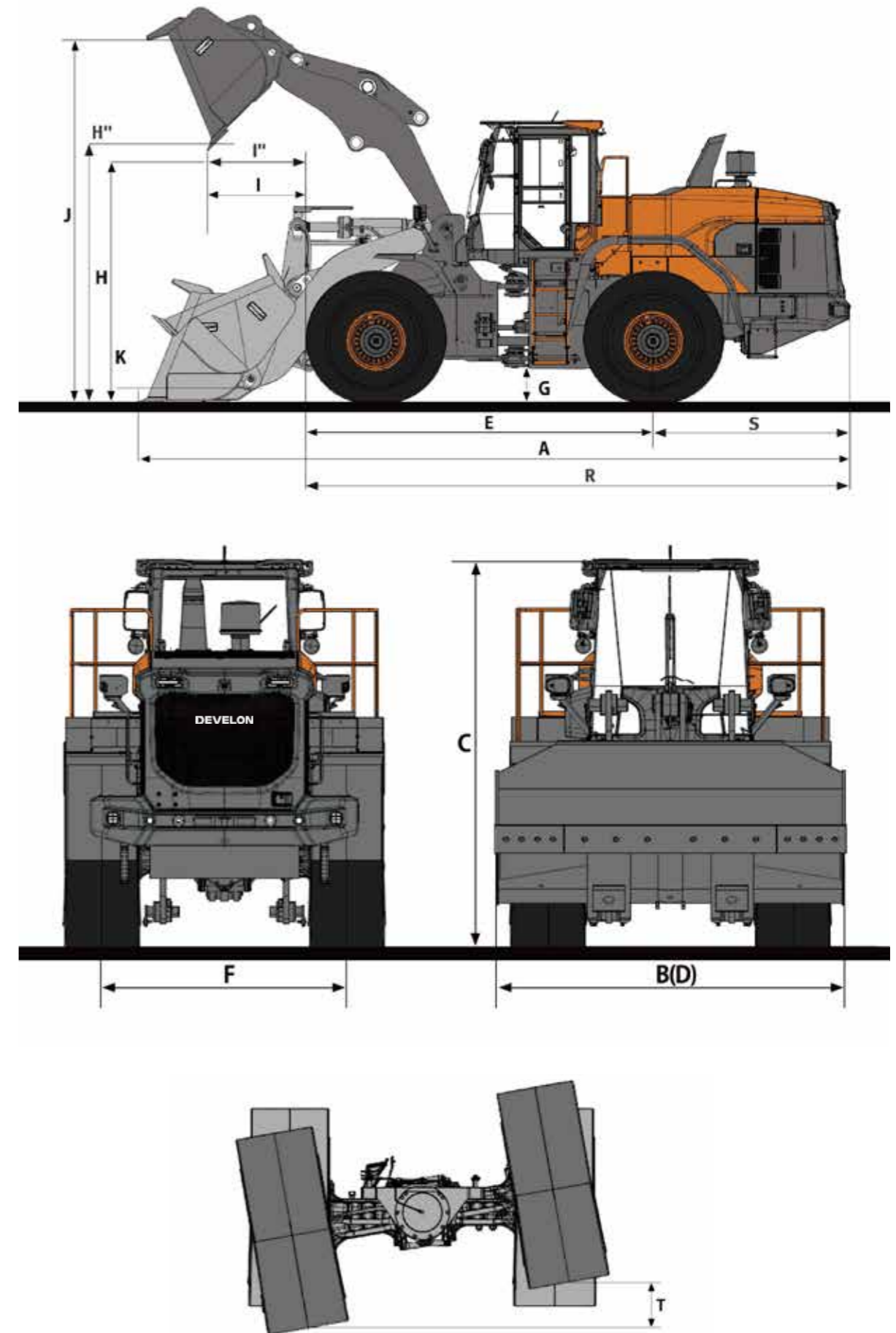
Engine (oil) - 21ℓ  
Radiator (cooling liquid) - 32.7ℓ  
Fuel - 235ℓ  
Hydraulic oil - 120ℓ - 5T  
Gear box and torque converter - 42ℓ  
Front axle - 15 (2.3X2) ℓ  
Rear axle - 17 (2.6X2) ℓ

# OPERATIONAL DATA

LOADER TYPE		General purpose				High Lift Arm
BUCKET MOUNT		PIN ON	PIN ON	PIN ON	PIN ON	
Configuration	Unit	Teeth	Bolt-on edge	Teeth	Bolt-on edge	
Capacity heaped ISO/SAE	m <sup>3</sup>	1.9	2.0	2.2	2.3	
Bucket width	D mm	2,550	2,550	2,550	2,550	
Breakout force	kN	101	95	92	87	+ 1
Static tipping load (straight)	kg	9,326	9,267	9,356	9,258	- 1,673
Static tipping load (at full turn)	kg	8,235	8,183	8,262	8,175	- 1,477
Dump height (at 45°) at fully raised	H(H <sup>1</sup> ) mm	2,690	2,765	2,630	2,695	+ 480
Dump reach (at 45°) at fully raised	l(l <sup>1</sup> ) mm	1,070	1,005	1,135	1,065	- 10
Dump height (at max. dump)	mm	805	890	725	810	+ 50
Dump height (at max. dump)	mm	1,390	1,355	1,430	1,385	+ 505
Digging depth	mm	64	58	64	64	142
Height at bucket pivot point	J mm	3,735	3,735	3,735	3,735	+ 475
Max. tilt angle at carry position	K deg	49	49	49	49	50.6
Max. tilt angle at fully raised	M deg	60	60	60	60	62.9
Max. tilt angle on ground	deg	43	43	43	43	43.3
Max. tilt angle at max. reach	deg	59	59	59	59	58
Max. dump angle at max. reach	deg	64	64	64	64	55.9
Max. dump angle on ground	deg	64	64	64	64	58.9
Max. dump angle at fully raised	L deg	46	46	46	46	44.7
External radius at bucket edge	Q mm	5,865	5,865	5,865	5,865	+ 200
Ground Clearance at 2° oscillation	T mm	368	368	368	368	368
Rear Axle to Counter weight	S mm	1,907	1,907	1,907	1,907	2,081
Overall length without bucket	R mm	6,255	6,255	6,255	6,255	+ 445
Overall length	A mm	7,445	7,350	7,530	7,440	+ 440
Operating weight	kg	11,327	11,385	11,385	11,444	+ 188

1) Measured to the tip of the bucket teeth

# DIMENSIONS



# STANDARD AND OPTIONAL EQUIPMENT

## STANDARD EQUIPMENT

### Engine

---

- DEVELON DB58TIS Diesel engine
- Air cleaner - Double element cartridge + Cyclone filtration in prior stage
- Fuel filter - Main fuel filter and fuel pre-filter with water separator
- External drains for engine oil and coolant changes
- Hydraulic radiator fan

### Hydraulic System

---

- Hydraulic control valve - 3 spool
- Hydraulic main pump - Triple gear pump
- Hydraulic control levers
- Boom kick out - Automatic
- Bucket return to dig - Automatic

### Cabin and Interior

---

- 12V power socket
- Double filtered air cab
- Air conditioner and heater with recirculation function
- Dual Cup holder
- USB Charging Port
- Tinted glasses
- Sunglass Case
- Floor mat
- AM/FM Radio + MP3(USB)
- Windshield washer front and rear
- Windshield wipers front and rear
- Cigarette lighter
- Multiple storage compartments
- Front/Rear Sun visor
- Glass antenna
- Seat - Mechanical suspension
- ROPS cabin - ISO3471
- FOPS cabin - ISO3449
- Adjustable steering column
- Rear view mirrors - Interior1
- Rear view mirrors - Exterior2

\* Standard specification and options may vary by country.

\*\* Specification is subject to change without prior notice for quality enhancement.

### Electrical and lighting

---

- Battery cut-off switch
- Working light - Front 2 + Rear 2
- Driving light - Low and high beams
- Tail indicators - Stop/Turn/Positioning Lamp
- Reversing alarm
- Electric horn
- Alternator - 24V, 80A
- Self-diagnostic system

### Linkage

---

- Z-bar loader linkage

### Drivetrain and Brake system

---

- Gear shift switch - Manual, Auto 14, Auto 24
- Kickdown and travelling direction selection
- Starting safety system
- Dual brake circuits with accumulator
- Dual service brake pedals
- Secondary brake system
- Parking brake - Electrical, hydraulic

### Steering system

---

- Load sensing steering system

### External equipment

---

- Fender

## OPTIONAL EQUIPMENT

Some of these optional equipments may be standard in some markets. Some of these optional equipments cannot be available on some markets. You must check with the local DEVELON dealer to know about the availability or to release the adaptation following the needs of the application.

### Hydraulic System

---

- Hydraulic Oil -VG32Cold Weather
- Hydraulic Oil -VG46Normal Weather
- Hydraulic Oil - VG68 Tropical Weather
- Hydraulic control valve - 3 spool
- Load isolation system (LIS)
- Hydraulic control levers - Mono
- Hydraulic control levers - FNR
- Automatic reverse Fan
- Quick coupler piping and switch

### Cabin and Interior

---

- Seat - Air suspension with heater
- Camera - Rear view

### Electrical and lighting

---

- License lamp
- Beacon - Rotating
- LED working lamp
- Heated side mirrors

### Linkage

---

- Z-bar high lift loader linkage

### Drivetrain and Brake system

---

- LSD Differential
- Thermostat
- Additional brake pedal

### Steering system

---

- Emergency steering pump

### External equipment

---

- Fender - Full fender + rubber protector
- Fender - Rubber protector
- Wheel chocks
- Underguard Kit
- Additional counterweight - 0.3 ton
- Tool Kit